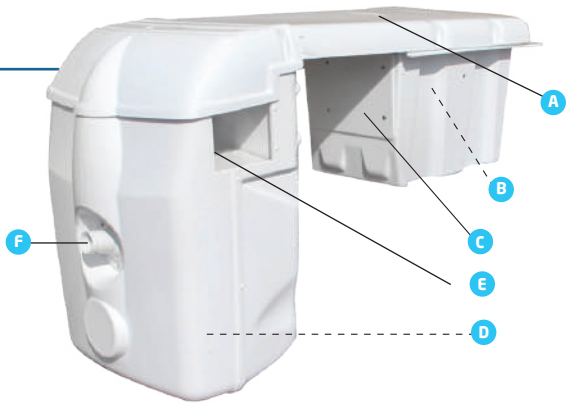




Pools up to 45m³ max.
Max. length : 7m

Equipment

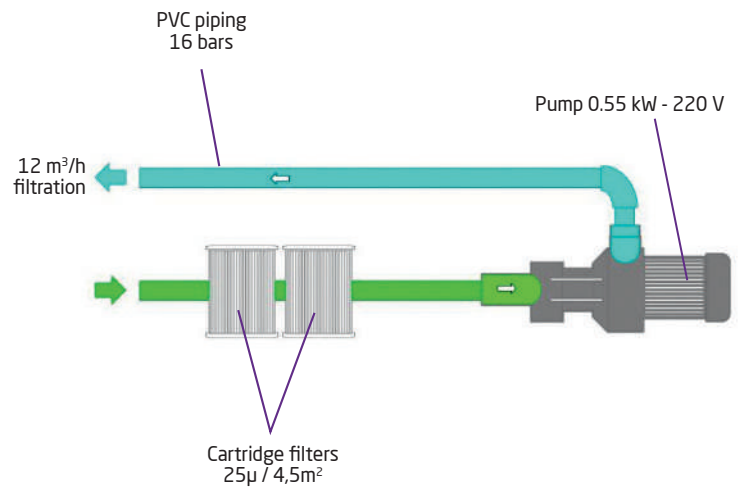
- A** Removable lid with mechanical lock
- B** Terminal block + daily programmable timer.
- C** In-ground-section containing:
 - Filter pump (12 m³/h)
- D** Two removable filter cartridges with leaf baskets
- E** Skimmers, two water suction inlets
- F** Multi-directional, high-volume return nozzle



INTEGRABLE OPTIONS :

- By-pass
- Led spotlight + remote control + electrical box

Schematic diagram



FB Dimensions

