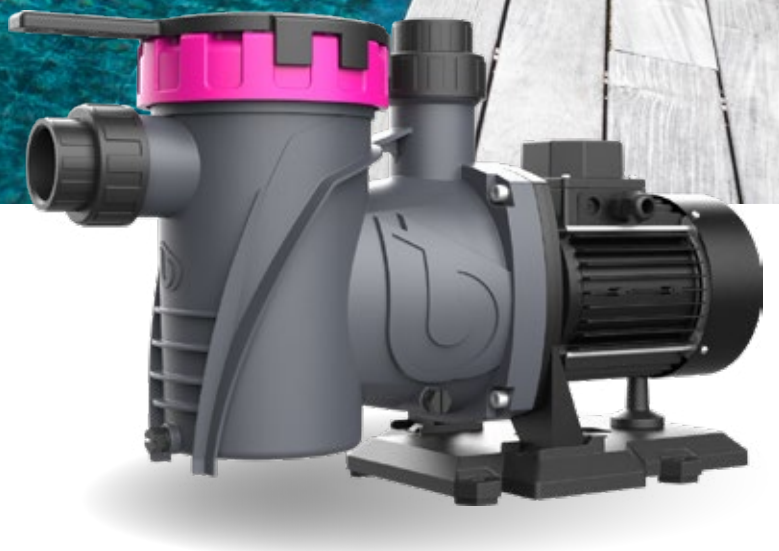




**Crystal clear,
healthy water**

BWT Infinity
POMPES DE FILTRATION



For You and Planet Blue.



BWT expertise for optimal filtration

POMPES DE FILTRATION



- **Economical:** with its large pre-filter basket, this pump delivers a high flow rate while consuming less energy.
- **Practical:** the 50/63 mm unions provided allow retro-fitting to all existing installations. It is also possible to install 2" threaded unions on the pumps inlet and outlet ports.
- **Quality:** is guaranteed through procurement within Europe, in accordance with stringent specifications developed with BWT partners, and ISO 9001 and 14001 certification of the production site.
- **Guarantee:** BWT INFINITY pumps are guaranteed 5 years, the best guarantee on the market.



BWT Pool Products has been designing and manufacturing pool equipment in Europe for nearly 50 years. An expert in the field of water filtration for industry, as well as private and public pools, BWT Pool Products presents the BWT Infinity pump, developed to integrate seamlessly into pool environment.

Option: Connected to the BWT Pearl Connect panel, it is the heart of your filtration system, allowing you to enjoy your pool to the full without worrying about its operation.

BWT has developed hydraulic optimisation software that, based on BWT Pool Products pool specifications, recommends the pump best suited to provide optimum filtration. Talk to your pool professional for your hydraulic optimisation study.

Made in Europe

In addition to being designed and assembled in Europe, 95% of the pump components are made in Europe.

This pump is manufactured in a factory that is 60% energy self-sufficient.

Easy opening

The lid, which is easy to open and close, is transparent to allow monitoring of the debris accumulated in the pre-filter basket. The pre-filter basket is large to help prolong the intervals between cleaning.

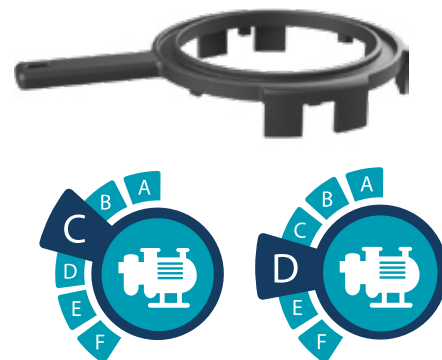
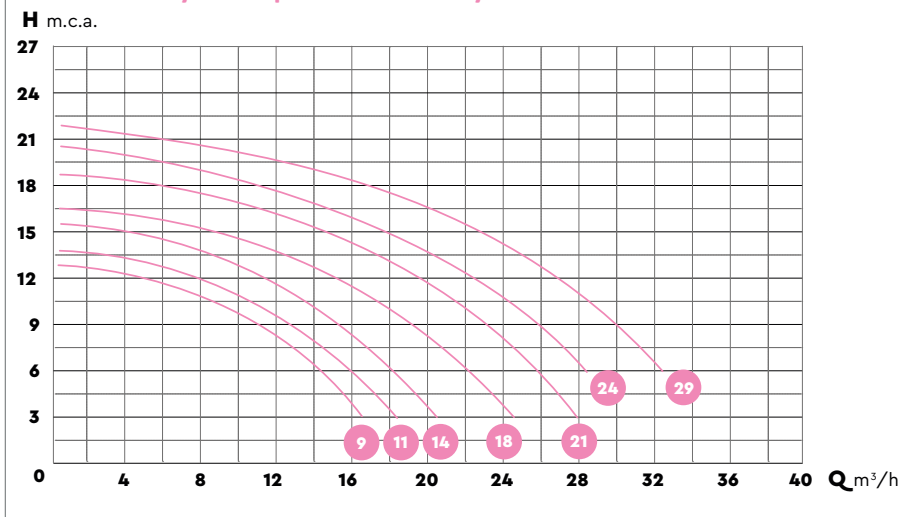
Reliable and silent

Hard-wearing and safe, this pump is also very discrete with a noise level that makes it one of the quietest pumps on the market.

Confident of the quality, BWT Pool Products offers a 5 year guarantee on this pump.



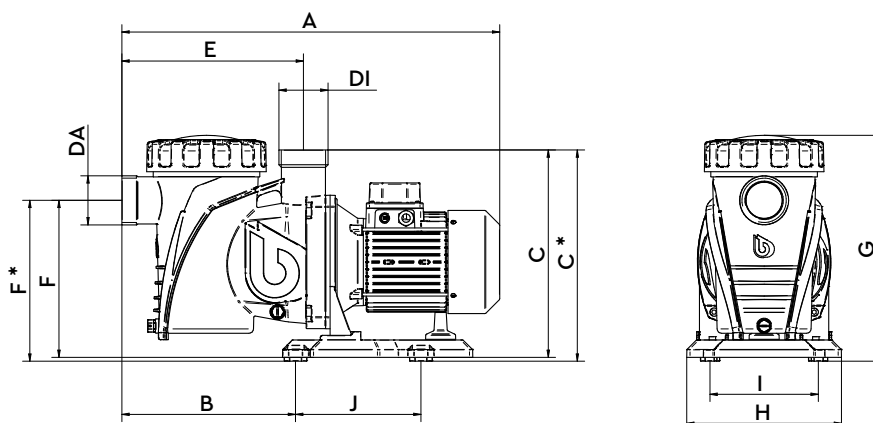
Courbes hydrauliques BWT Infinity



Code	Description	Classe	Flow rate m³/h at 10 mWC	Max current (A)	P1 kW	P2 kW	Voltage	Acoustic pressure at 1m (dBA)	Ø ports Inlet - outlet (mm)
125575496	BWT Infinity 33-M	D	9m3/h	2,9	0,44	0.25	Mono	61,6	Ø 50/63
125575499	BWT Infinity 50-M	D	11m3/h	4,4	0,59	0.37	Mono	62,0	Ø 50/63
125575501	BWT Infinity 75-M	D	14m3/h	4,7	0,77	0.55	Mono	62,2	Ø 50/63
125575503	BWT Infinity 100-M	C	18m3/h	5,5	1,02	0.75	Mono	63,8	Ø 50/63
125575505	BWT Infinity 150-M	C	21m3/h	7,3	1,45	1.10	Mono	65,4	Ø 50/63
125575507	BWT Infinity 200-M	C	24m3/h	9,2	1,9	1.50	Mono	64,6	Ø 50/63
125575509	BWT Infinity 300-M	C	29m3/h	12,2	2,72	2.20	Mono	68,6	Ø 50/63
125575498	BWT Infinity 33-T	D	9m3/h	2,2/1,3	0,35	0.25	Tri	61,6	Ø 50/63
125575500	BWT Infinity 50-T	D	11m3/h	2,4/1,4	0,49	0.37	Tri	62,0	Ø 50/63
125575502	BWT Infinity 75-T	D	14m3/h	3,1/1,8	0,7	0.55	Tri	62,2	Ø 50/63
125575504	BWT Infinity 100-T	C	18m3/h	3,8/2,2	0,92	0.75	Tri	63,8	Ø 50/63
125575506	BWT Infinity 150-T	C	21m3/h	5,0/2,9	1,33	1.10	Tri	65,4	Ø 50/63
125575508	BWT Infinity 200-T	C	24m3/h	6,0/3,5	1,78	1.50	Tri	64,6	Ø 50/63
125575510	BWT Infinity 300-T	C	29m3/h	8,6/5,0	2,54	2.20	Tri	68,6	Ø 50/63

Description	HP	A	B	C	C*	E	F	F*	G	H	I	D
33	555	269	321	327	281	243	249	350	240	168	Ø 50/63	D 50/63
50	555	269	321	327	281	243	249	350	240	168	Ø 50/63	D 50/63
75	555	269	321	327	281	243	249	350	240	168	Ø 50/63	D 50/63
100	555	269	321	327	281	243	249	350	240	168	Ø 50/63	D 50/63
150	585	269	321	327	281	243	249	350	240	168	Ø 50/63	D 50/63
200	585	269	321	327	281	243	249	350	240	168	Ø 50/63	D 50/63
300	635	269	321	327	281	243	249	350	240	168	Ø 50/63	D 50/63

All sizes in mm



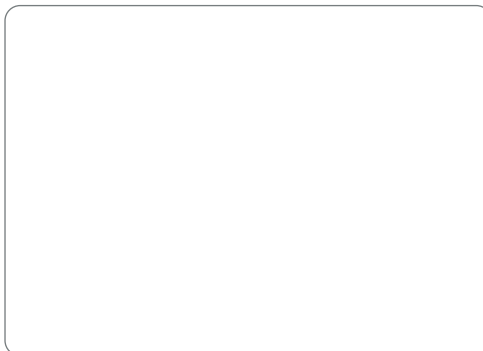


If you drink Diamond Mineralized Water, you have made a decision. You have chosen local water that has been enriched with valuable magnesium and silicate using the patented technology from BWT. You have decided against conventional bottled water, which has to be shipped many kilometers unnecessarily and pollutes the environment. You also decided that you give a child in Africa access to safe drinking water. You have chosen a better world. Sip by sip.
Thank you.

CHANGE THE WORLD - SIP BY SIP.



Cachet du revendeur :



**BWT Best
Water Home**

